

# mass integrated

global part distribution • product lifecycle partner  
excess inventory management • value-ad service provider



Data sheet provided by Mass Integrated

[massintegrated.com](http://massintegrated.com) • [displayalliance.com](http://displayalliance.com)

Please call +1.978.465.6190  
Email: [sales@massintegrated.com](mailto:sales@massintegrated.com)



ISO 9001: 2008

Mass Integrated complies with all DMCA takedown notices. Please send a formal DMCA Takedown Notice to Mass Integrated Systems, Inc. • 18 Henry Graf Jr. Road, Unit 1 • Newburyport, MA 01950.

TO : sak

DATE : 2002.11.30

GREEN C&C TECH CO.,LTD  
2nd #898-45 HOGYE-DONG DONGAN-KU  
ANYANG CITY,KOREA  
TEL : 82-31-458-9105,9163  
FAX : 82-31-458-9135

## DOCUMENTATION FOR APPROVAL

PRODUCT : CCFL BACKLIGHT INVERTER

MODEL NAME : GH089A

GCCT NAME : GCCT089PB

APPROVAL	CHECKED	WRITTEN

PLEASE RETURN ONE DOCUMENT AFTER APPROVED SIGN.

--

GREEN C&C TECH	INVERTER SPECIFICATION (GH089A)	R&D DATE : 2002.11.30
----------------	------------------------------------	--------------------------

NO	DATE	REVISION	PAGE

REVISION HISTORY											
REV.											
Page											
REV.											
Page											
REV.	0	0	0	0	0	0					
Page	1	2	3	4	5	6					

GREEN C&C TECH	INVERTER SPECIFICATION (GH089A)	R&D DATE : 2002.11.30
----------------	------------------------------------	--------------------------

## 2. SUITABLE LOAD

LCD MODULE : LG 20.1" 6LAMP TFT LCD

## 3. ELECTRICAL CHARACTERISTICS

### 3-1. Absolute Maximum Ratings

ITEM	SYMBOL	SPEC	UNIT	REMARKS
INPUT VOLTAGE1	Vin1	17~19	V	
INPUT VOLTAGE2	Vin2	4.9~5.1	V	
OPERATING TEMPERATURE	Top	0~50	℃	
STORAGE TEMPERATURE	Tstg	-30~80	℃	
RELATIVE HUMIDITY	RH	90	%	

### 3-2. Control Signal

PIN NO.	SYMBOL	STATUS	ACTION	REMARKS
CN1 #4	BKLT_ON	HIGH	LAMP(CCFL)-ON	2.4~5.25V
		LOW	LAMP(CCFL)-OFF	0.8V MAX

GREEN C&C TECH	INVERTER SPECIFICATION (GH089A)	R&D DATE : 2002.11.30
----------------	------------------------------------	--------------------------

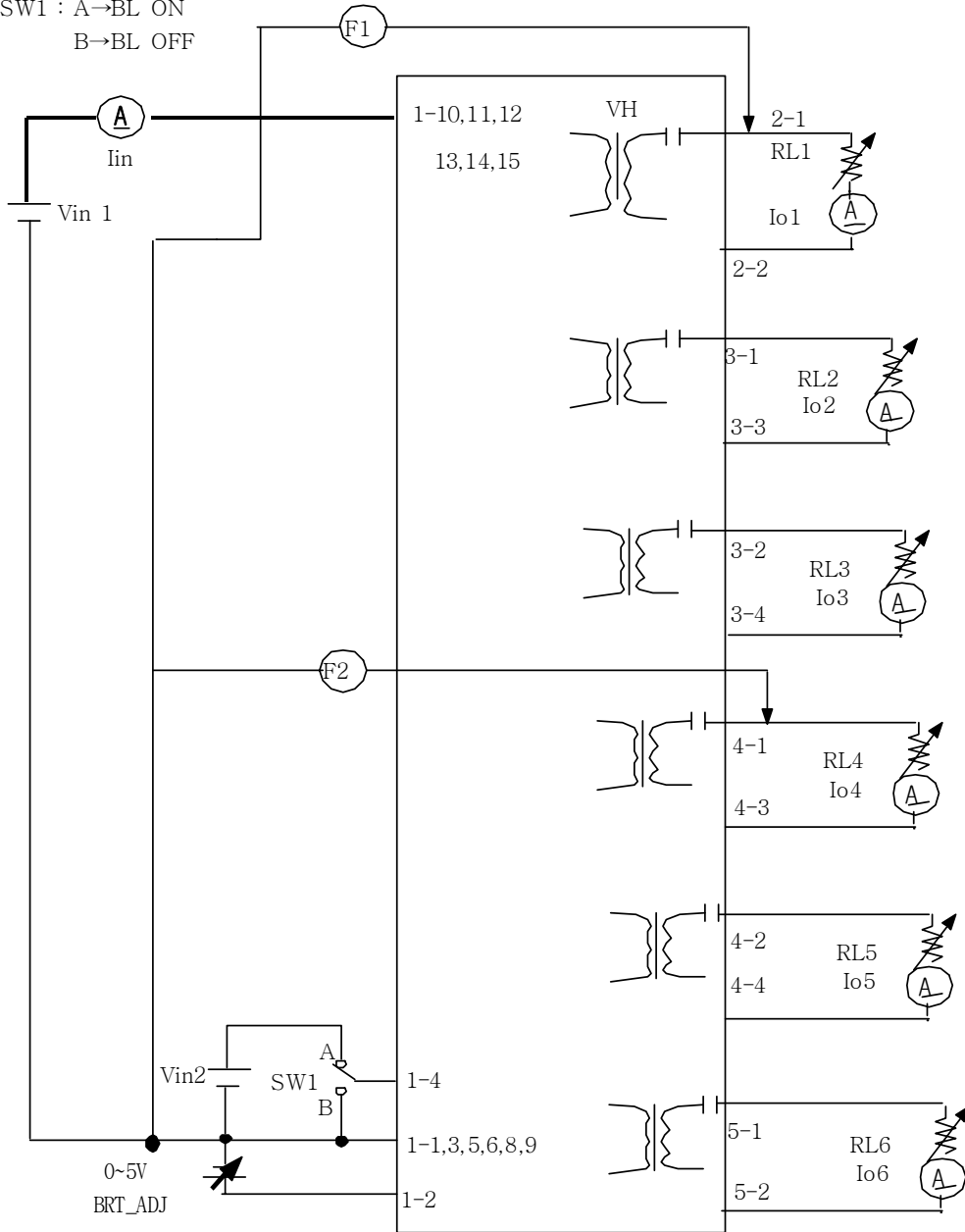
### 3-3. Output Characteristics

ITEM	SYMBOL	CONDITION			SPECIFICATION			UNIT
		Vin1(V) (DC-IN)	BRT- ADJ	RL1,2,3(k $\Omega$ ) RL4,5,6(k $\Omega$ )	MIN	TYP	MAX	
OUTPUT CURRENT	Io1(max)	18	0V	100 $\pm$ 0.5	6.0	7.0	8.0	mArms
	Io2(max)							
	Io3(max)							
	Io4(max)							
	Io5(max)							
	Io6(max)							
	Io1(min)	18	5V	100 $\pm$ 0.5	2.0	3.0	4.0	
	Io2(min)							
	Io3(min)							
	Io4(min)							
Io5(min)								
Io6(min)								
INPUT CURRENT	Iin(1)	18	0V	100 $\pm$ 0.5	3.0	3.5	4.0	ADC
FREQUENCY	F(1)	18	0V	100 $\pm$ 0.5	48	54	60	kHz
FREQUENCY	F(2)	18	0V	100 $\pm$ 0.5	48	54	60	

GREEN C&C TECH	INVERTER SPECIFICATION (GH089A)	R&D DATE : 2002.11.30
----------------	------------------------------------	--------------------------

### 3.4 Test Circuit

-SW1 : A→BL ON  
B→BL OFF



GREEN C&C TECH	INVERTER SPECIFICATION (GH089A)	R&D DATE : 2002.11.30
----------------	------------------------------------	--------------------------

#### 4. INTERFACE

##### 4.1 CN1 CONNECTOR : 53261-1590

PIN NO	SYMBOL	REMARK
2	BRT_ADJ	0 ~ 5V
1,3,5,6,8,9	GND	GND
4	BL ON/OFF	CCFL Drive SIGNAL(Active HIGH)
7	N.C	
10,11,12 13,14,15	DC-IN(Vin)	DC INPUT Power (18V)

##### 4.2 CN2 CONNECTOR : SM02B-BHSS-1-TB(JST)

PIN NO.	SYMBOL	REMARK
1	HOT	HIGH
2	COLD	LOW

##### 4.4 CN3 CONNECTOR : 20015WR-09A00

PIN NO.	SYMBOL	REMARK
1	HOT	HIGH
2	HOT	HIGH
3	COLD	LOW
4	COLD	LOW

##### 4.5 CN4 CONNECTOR : 20015WR-09A00

PIN NO.	SYMBOL	REMARK
1	HOT	HIGH
2	HOT	HIGH
3	COLD	LOW
4	COLD	LOW

##### 4.3 CN5 CONNECTOR : SM02B-BHSS-1-TB(JST)

PIN NO.	SYMBOL	REMARK
1	HOT	HIGH
2	COLD	LOW

GREEN C&C TECH	INVERTER SPECIFICATION (GH089A)	R&D DATE : 2002.11.30
----------------	------------------------------------	--------------------------

5. APPEARANCE (UNIT : mm)

