

mass integrated

global part distribution • product lifecycle partner
excess inventory management • value-ad service provider



Data sheet provided by Mass Integrated

massintegrated.com • displayalliance.com

Please call +1.978.465.6190
Email: sales@massintegrated.com



ISO 9001: 2008

Mass Integrated complies with all DMCA takedown notices. Please send a formal DMCA Takedown Notice to Mass Integrated Systems, Inc. • 18 Henry Graf Jr. Road, Unit 1 • Newburyport, MA 01950.

LM64P83L

Large Size Graphic Type LCD Module
(FA/POS/Measuring instruments)

Features

- 24 cm [9.4"] VGA format
- Built-in long life CCFT backlight
- Transmissive B/W display
- High contrast (18 : 1)
- Thin structure (7.0 mm) & lightweight (340 g)
- Mechanically compatible with LM64183P

Specifications

Parameter		Unit
Display size	24 [9.4]	cm ["]
Dot format (H x V)	640 x 480	dot
Dot pitch (H x V)	0.30 x 0.30	mm
Active area (H x V)	192.0 x 144.0	mm
Panel type	*1	-
Panel mode	Transmissive	-
Color	B/W	-
Contrast ratio	18 : 1	-
Response time	350	ms

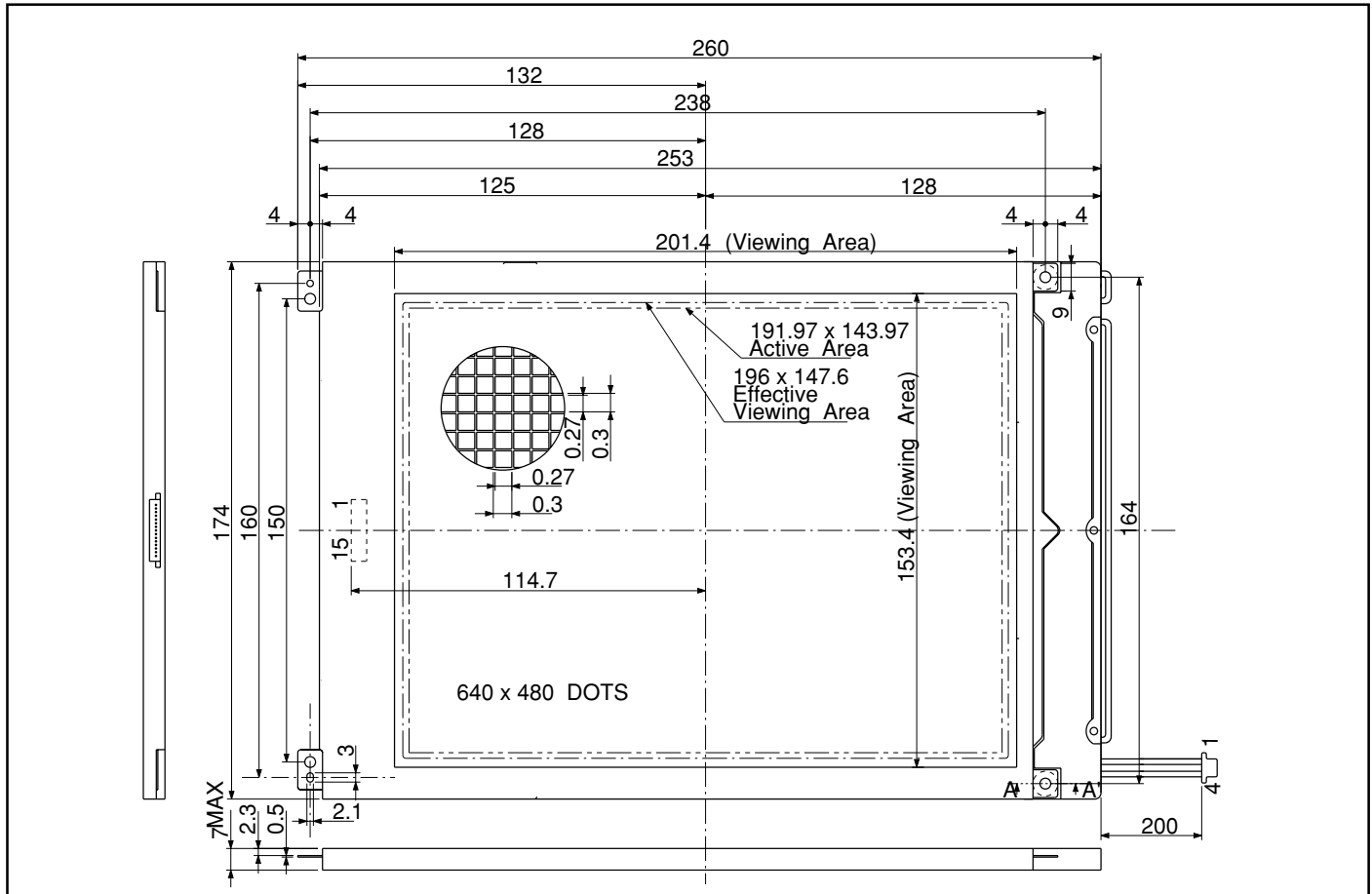
Parameter		Unit
Brightness	65	cd/m ²
Duty ratio	1/240	-
Backlight type	1CCFT(E)	-
Power consumption	2 380	mW
Outline dimensions (W x H x D)	253.0(260.0)*2 x 174.0 x 7.0	mm
Weight	340	g
Operating temperature	0 to +45	°C
Storage temperature	-25 to +60	°C

*1...Triple Super Twisted Nematic

*2...() value ... Including mounting tabs.

Outline Dimensions

unit : mm



In the absence of confirmation by device specification sheets, SHARP takes no responsibility for any defects that may occur in using any SHARP devices shown in catalogs, data books, etc. Contact SHARP in order to obtain the latest device specification sheets before using any SHARP device. Specifications are subject to change without notice for improvement.