

mass integrated

global part distribution • product lifecycle partner
excess inventory management • value-ad service provider



Data sheet provided by Mass Integrated

massintegrated.com • displayalliance.com

Please call +1.978.465.6190
Email: sales@massintegrated.com



ISO 9001: 2008

Mass Integrated complies with all DMCA takedown notices. Please send a formal DMCA Takedown Notice to Mass Integrated Systems, Inc. • 18 Henry Graf Jr. Road, Unit 1 • Newburyport, MA 01950.

MODEL NO. : TM022HDHT1-00ISSUED DATE: 2010-5-28VERSION : Ver 1.1

- Provisional Specification
 Final Product Specification

Customer : _____

Approved by	Notes

SHANGHAI TIANMA Confirmed :

prepared by	Checked by	Approved by

This technical specification is subjected to change without notice



Table of Contents

Coversheet.....	1
Table of Contents	2
Record of Revision.....	3
1 General specifications.....	4
2 Input/Output terminals.....	5
3 Absolute maximum ratings.....	7
4 Electrical characteristics.....	8
5 Timing chart	10
6 Optical characteristics	18
7 Environmental / Reliability tests	22
8 Mechanical drawing	23
9 Packing drawing.....	24
10 Precautions for use of LCD modules	25



1 General specifications

Feature		Spec
Display Spec.	Size	2.2 inch
	Resolution	240(RGB) X 320
	Interface	RGB 18 bits+3SPI
	Color Depth	262K
	Technology type	a-si TFT
	Pixel pitch (mm)	0.141x0.141
	Pixel Configuration	R.G.B. Vertical Stripe
	Display Mode	ECB Transflective
	Surface Treatment(Up Polarizer)	Clear type (3H)
	Surface Treatment	Clear type (3H)
	Viewing Direction	12 o'clock
	Gray Scale Inversion Direction	6 o'clock
Mechanical Characteristics	DIM. LCM (W x H x D) (mm)	40.6x56.6x2.7
	Active Area(mm)	33.84 x45.12
	With /Without TSP	Without TSP
	Weight (gram)	TBD
	LED Numbers	4 LEDs (serial)

Note 1 : Viewing direction for best image quality is different from TFT definition, there is a 180 degree shift.

Note 2 : Requirements on Environmental Protection: Q/S0002



2 Input/Output terminals

2.1 TFT LCD Panel

Recommended connector: FH23-39S-0.3SHW (HIROSE)

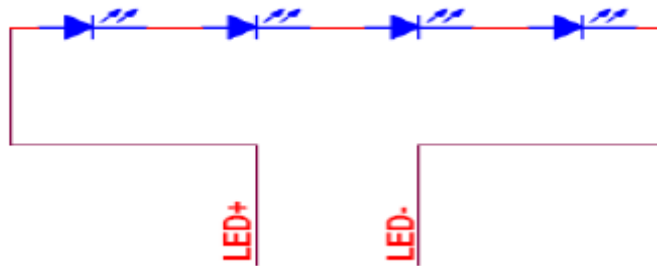
No	Symbol	I/O	Description	Remarks
1	VL1 (LED+)	I	Power supply for LED(High voltage)	
2	VL2 (LED-)	I	Power supply for LED(Low voltage)	
3	GND	P	Ground	
4	VDD	P	Power supply of gate driver(high level)	
5	GND	P	Ground	
6	VSYNC	I	Vertical sync. signal	
7	RESET	I	Reset Enable	
8	GND	P	Ground	
9	CS	I	SPI Chip select	
10	SDO	O	SPI serial Data output	
11	SDI	I	SPI serial Data input	
12	GND	P	Ground	
13	SCL	I	SPI serial interface clock	
14	GND	P	Ground	
15	B5	I	Blue data signal	
16	B4	I	Blue data signal	
17	B3	I	Blue data signal	
18	B2	I	Blue data signal	
19	B1	I	Blue data signal	
20	B0	I	Blue data signal	
21	ENABLE	I	Data enable signal	
22	HSYNC	I	Horizontal sync signal	
23	GND	P	Ground	
24	DCLK	I	Data sampling clock signal	
25	GND	P	Ground	
26	G5	I	Green data signal	
27	G4	I	Green data signal	
28	G3	I	Green data signal	
29	G2	I	Green data signal	
30	G1	I	Green data signal	
31	G0	I	Green data signal	
32	GND	P	Ground	
33	R5	I	Red data signal	
34	R4	I	Red data signal	
35	R3	I	Red data signal	
36	R2	I	Red data signal	
37	R1	I	Red data signal	
38	R0	I	Red data signal	
39	GND	P	Ground	



Note2-1: I/O definition:

- I----Input
- O---Output
- P----Power

Note 2-2: The figure below shows the connection of backlight LED.





3 Absolute maximum ratings

3.1 Driving TFT LCD Panel

(VSS=0, Ta = 25°C)

Item	Symbol	MIN	MAX	Unit	Remark
Logic Supply Voltage	VDD	-0.3	4.6	V	
Input Signal Voltage	R0~R5,G0~G5,B0~B5, ENABLE,DCLK,HSYNC, VSYNC,/CS,SCL,SDI,SDO/RESET	-0.3	VCC +0.5	V	
Back Light Forward Current	I _{LED}	--	25	mA	
Operating Temperature	T _{OPR}	-20	70	°C	
Storage Temperature	T _{STG}	-30	80	°C	



4 Electrical characteristics

4.1 Driving TFT LCD Panel

(VSS=0, Ta=25°C)

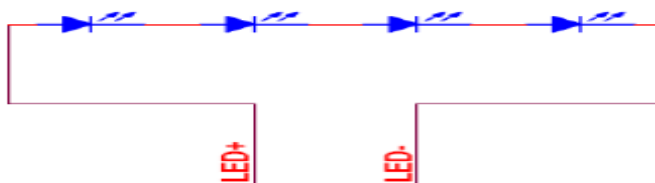
Parameter	Symbol	MIN	TYP	MAX	Unit	Remark
Digital supply Voltage	VDD	2.5	2.8	3.3	V	
Input Signal Voltage	Low Level VIL	VSS	-	0.2xVDD	V	R0~R5,G0~G5,B0~B5, ENABLE,DCLK,HSYNC, VSYNC,/CS,SCL,SDI,SDO/RESET
	High Level VIH	0.8xVDD	-	VDD	V	
Output Signal Voltage	Low Level VOL	VSS	-	0.3xVDD	V	Output Signal Voltage
	High Level VOH	0.7xVDD	-	VDD	V	
Current of VDD Power supply	I _{CC}	-	TBD	-	mA	Note 1

Note1: To test the current dissipation, use "all Black Pattern".

4.2 Driving Backlight Ta=25°C

Item	Symbol	MIN	TYP	MAX	Unit	Remark
Forward Current	I _F		80	--	mA	4 LEDs serial
Forward Voltage	V _F	--	12.8		V	
Power Consumption	W _{BL}	--	1024	--	mW	
Operating Life Time	-	10000	(20000)	-	Hrs	

Note1: Figure below shows the connection of backlight LED.



Note 2: One LED: I_F =80 mA, V_F =12.8V

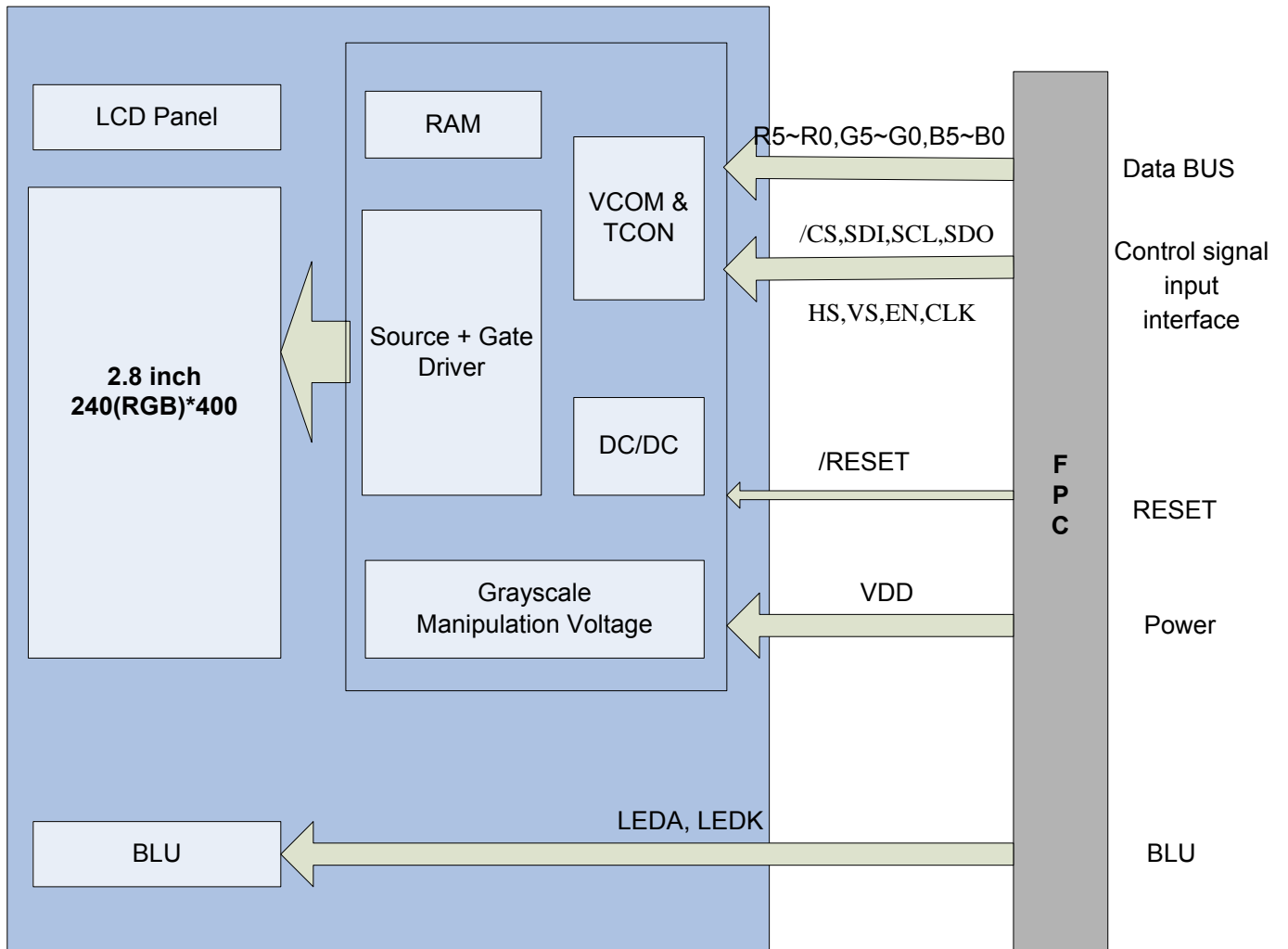
Note 3: : I_F is defined for one channel LED.

Optical performance should be evaluated at Ta=25°C only.

If LED is driven by high current, high ambient temperature & humidity condition. The life time of LED will be reduced. Operating life means brightness goes down to 50% initial brightness. Typical operating life time is estimated data.



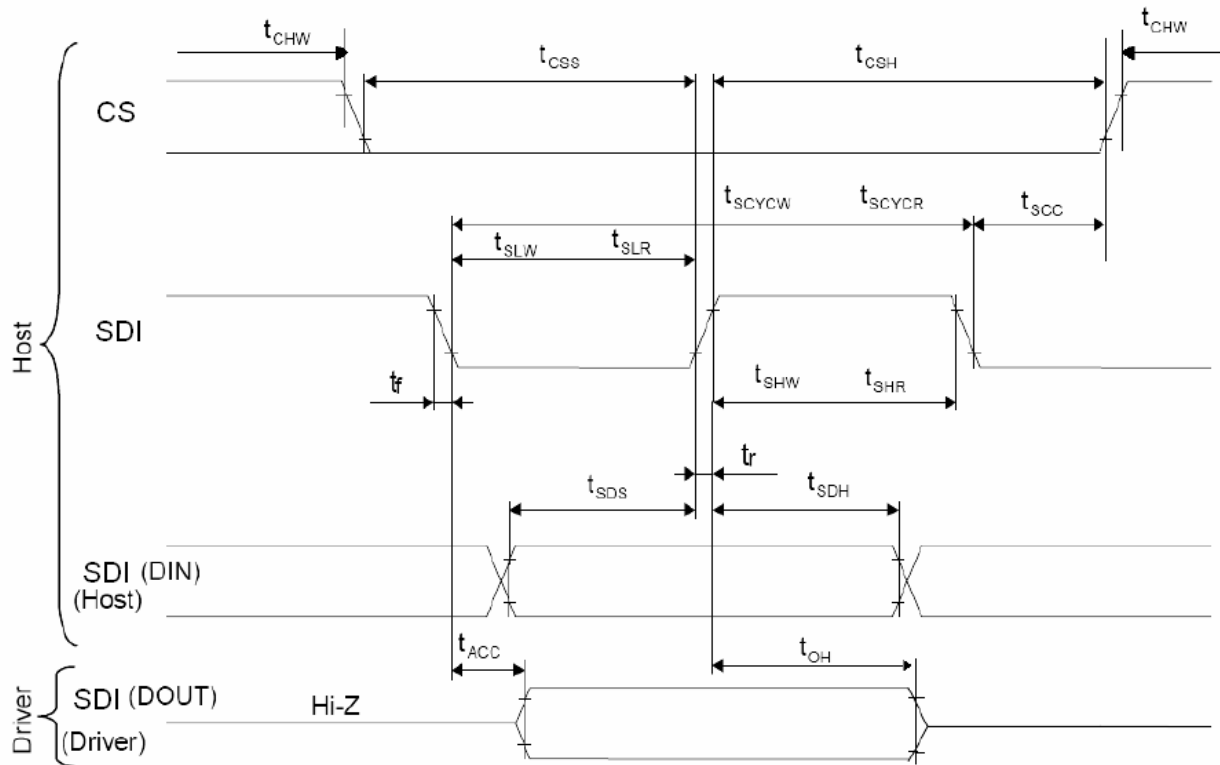
4.3 Block Diagram





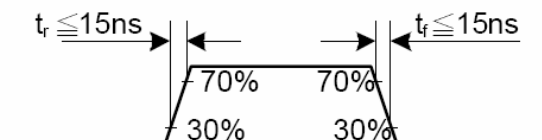
5 Timing chart

5.1 3wire INTERFACE CHARACTERISTICS



Signal	Symbol	Parameter	min	max	Unit	Description
SCL	tscycw	Serial Clock Cycle (Write)	100	-	ns	
	tshw	SCL "H" Pulse Width (Write)	40	-	ns	
	tslw	SCL "L" Pulse Width (Write)	40	-	ns	
	tscycr	Serial Clock Cycle (Read)	150	-	ns	
	tshr	SCL "H" Pulse Width (Read)	60	-	ns	
	tslr	SCL "L" Pulse Width (Read)	60	-	ns	
SDA / SDI (Input)	tsds	Data setup time (Write)	30	-	ns	
	tsdh	Data hold time (Write)	30	-	ns	
SDA / SDO (Output)	tacc	Access time (Read)	10	-	ns	
	toh	Output disable time (Read)	10	50	ns	
CS	tsc	SCL-CSX	20	-	ns	
	tchw	CSX "H" Pulse Width	40	-	ns	
	tcss	CSX-SCL Time	60	-	ns	
	tchsh		65	-	ns	

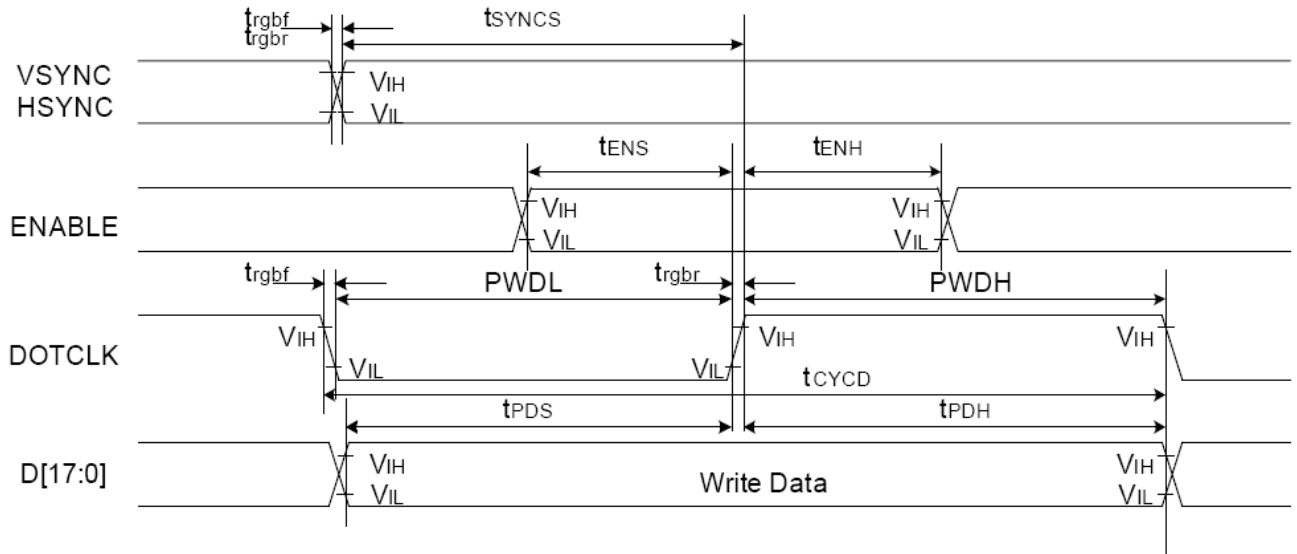
Note: $T_a = 25\text{ }^\circ\text{C}$, $V_{DDI}=1.65\text{V to }3.3\text{V}$, $V_{CI}=2.5\text{V to }3.3\text{V}$, $AGND=VSS=0\text{V}$



The information contained herein is the exclusive property of SHANGHAI TIANMA MICRO-ELECTRONICS Corporation, and shall not be distributed, reproduced, or disclosed in whole or in part without prior written permission of SHANGHAI TIANMA MICRO-ELECTRONICS Corporation.

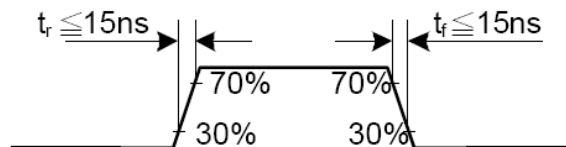


5.2 Parallel 18/16/6-bit RGB Interface Timing Characteristics



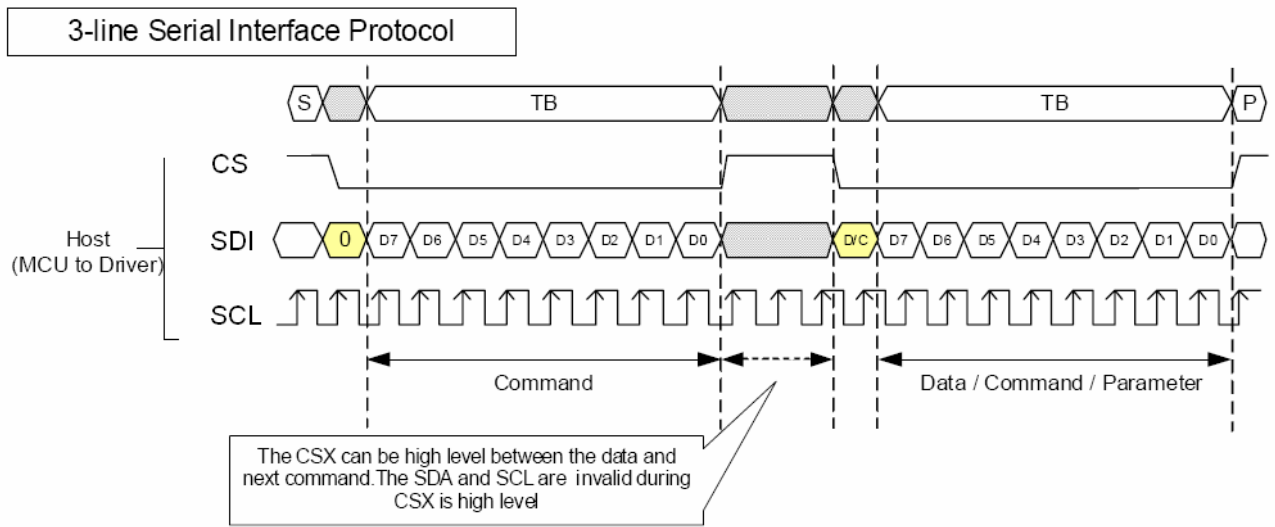
Signal	Symbol	Parameter	min	max	Unit	Description	
VSYNC / HSYNC	t_{SYNCS}	VSYNC/HSYNC setup time	15	-	ns	18/16-bit bus RGB interface mode	
	t_{SYNCH}	VSYNC/HSYNC hold time	15	-	ns		
DE	t_{ENS}	DE setup time	15	-	ns		
	t_{ENH}	DE hold time	15	-	ns		
D[17:0]	t_{POS}	Data setup time	15	-	ns		
	t_{PDH}	Data hold time	15	-	ns		
DOTCLK	$PWDH$	DOTCLK high-level period	15	-	ns		
	$PWDL$	DOTCLK low-level period	15	-	ns		
	t_{CYCD}	DOTCLK cycle time	100	-	ns		
	t_{rgbr}, t_{rgbf}	DOTCLK,HSYNC,VSYNC rise/fall time	-	15	ns		
VSYNC / HSYNC	t_{SYNCS}	VSYNC/HSYNC setup time	15	-	ns		6-bit bus RGB interface mode
	t_{SYNCH}	VSYNC/HSYNC hold time	15	-	ns		
DE	t_{ENS}	DE setup time	15	-	ns		
	t_{ENH}	DE hold time	15	-	ns		
D[17:0]	t_{POS}	Data setup time	15	-	ns		
	t_{PDH}	Data hold time	15	-	ns		
DOTCLK	$PWDH$	DOTCLK high-level pulse period	15	-	ns		
	$PWDL$	DOTCLK low-level pulse period	15	-	ns		
	t_{CYCD}	DOTCLK cycle time	100	-	ns		
	t_{rgbr}, t_{rgbf}	DOTCLK,HSYNC,VSYNC rise/fall time	-	15	ns		

Note: $T_a = -30$ to 70 °C, $V_{DDI}=1.65V$ to $3.3V$, $V_{CI}=2.5V$ to $3.3V$, $AGND=VSS=0V$





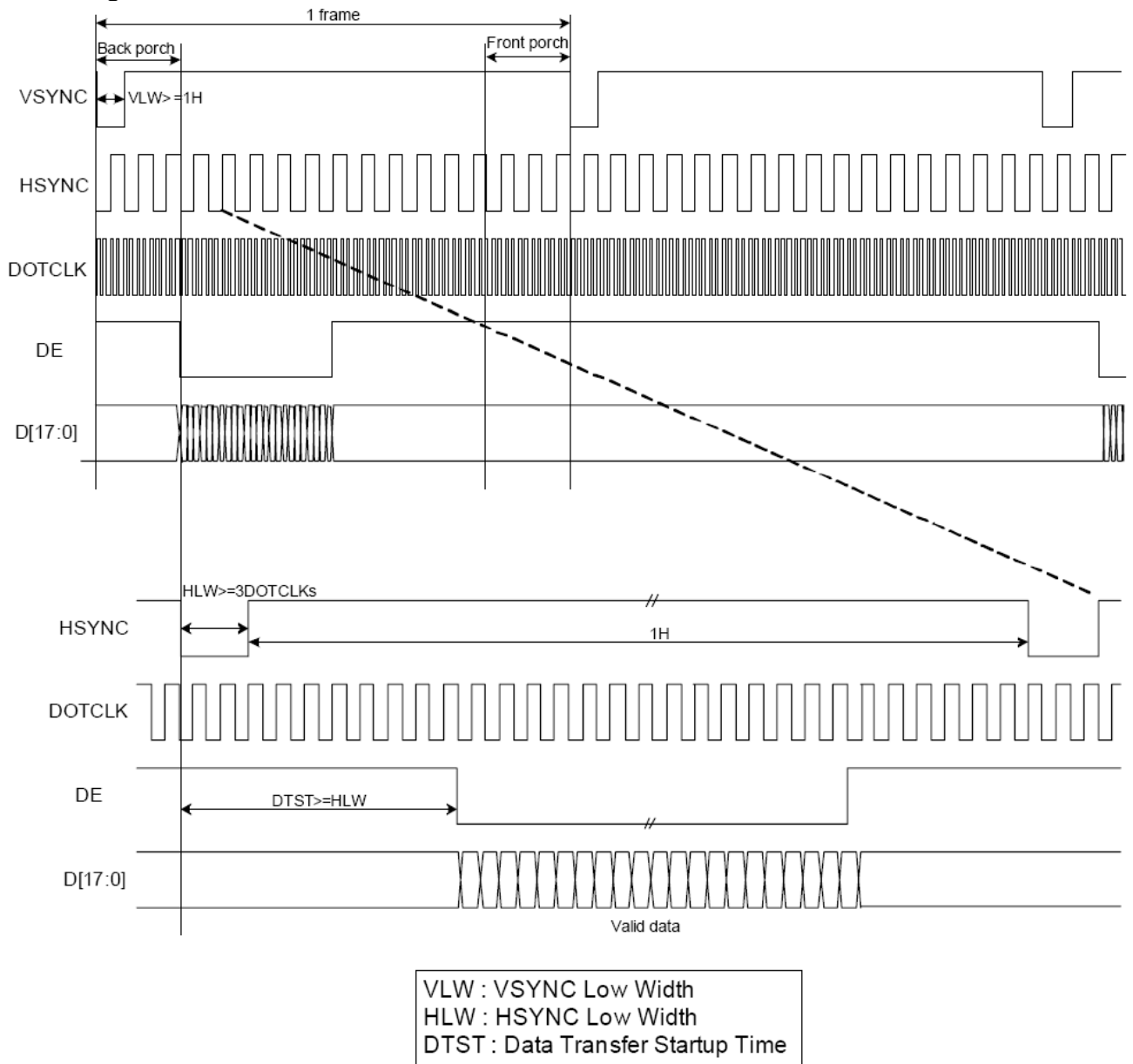
5.3 3-line Serial Interface Protocol





5.4 RGB Interface Timing

The timing chart of 18-/16-bit RGB interface mode is shown as below



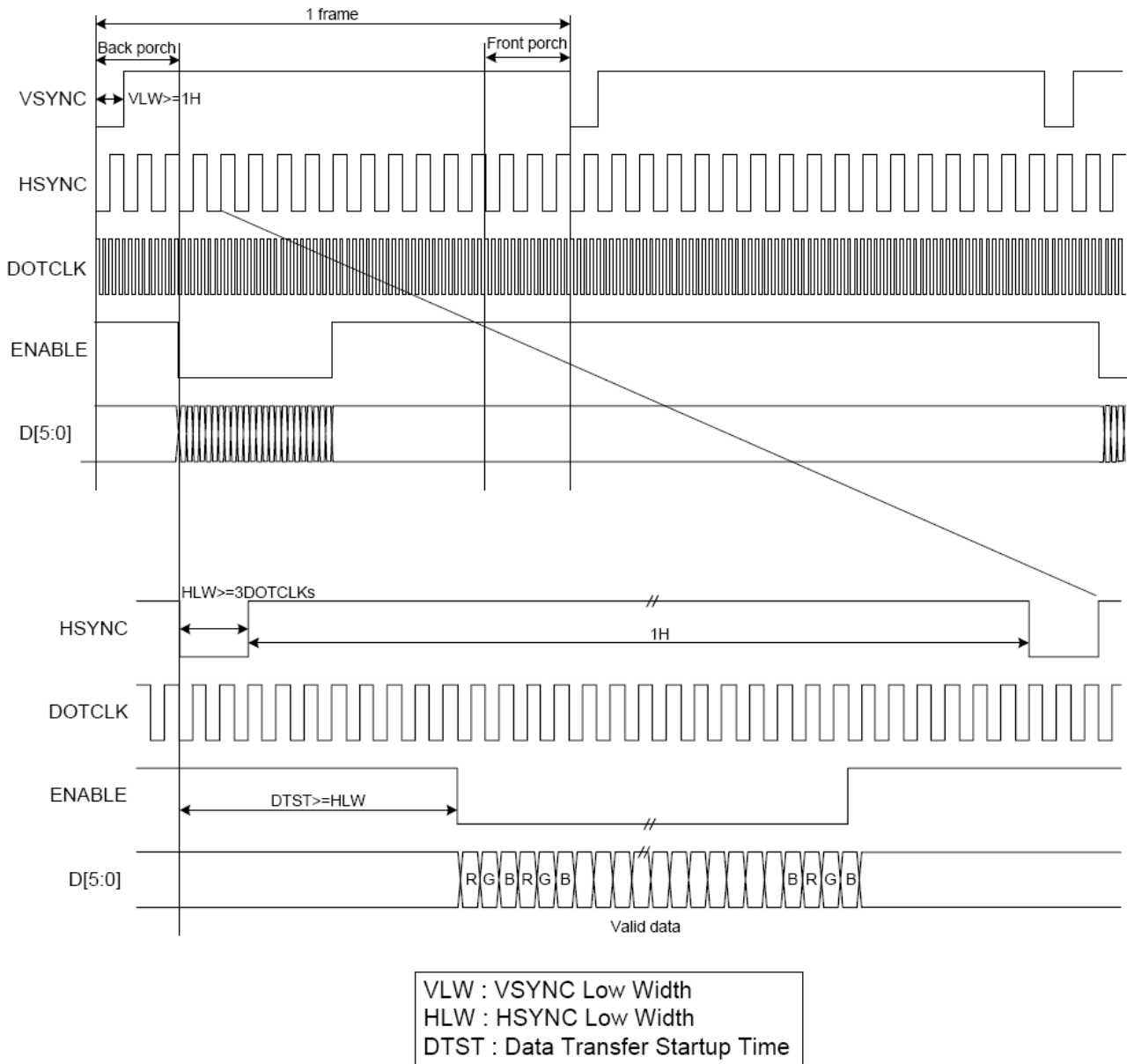
Note 1: The DE signal is not needed when RGB interface SYNC mode is selected.

Note 2: VSPL='0', HSPL='0', DPL='0' and EPL='1' of "Interface Mode Control (B0h)" command.

Fig.5-3 RGB Interface Timing



The timing chart of 6-bit RGB interface mode is shown as below:



Note 1: The DE signal is not needed when RGB interface SYNC mode is selected.

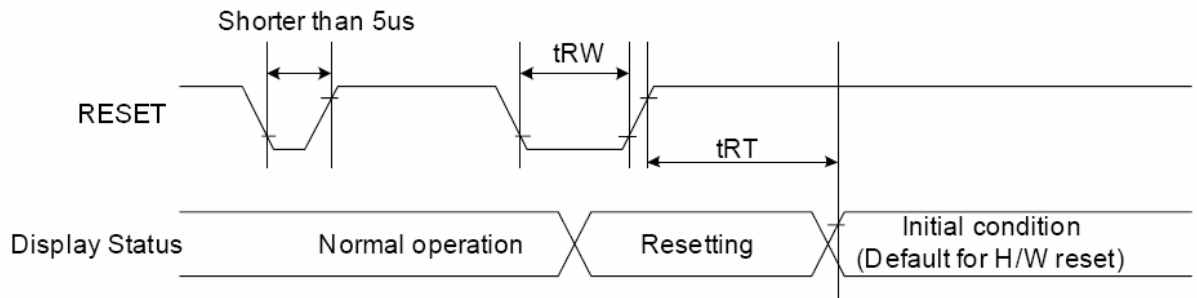
Note 2: $VSPL=0'$, $HSPL=0'$, $DPL=0'$ and $EPL=1'$ of "Interface Mode Control (B0h)" command.

Note 3: In 6-bit RGB interface mode, each dot of one pixel (R, G and B) is transferred in synchronization with DOTCLK.

Note 4: In 6-bit RGB interface mode, set the cycles of VSYNC, HSYNC and DE to 3 multiples of DOTCLK.



5.5 Reset Timing

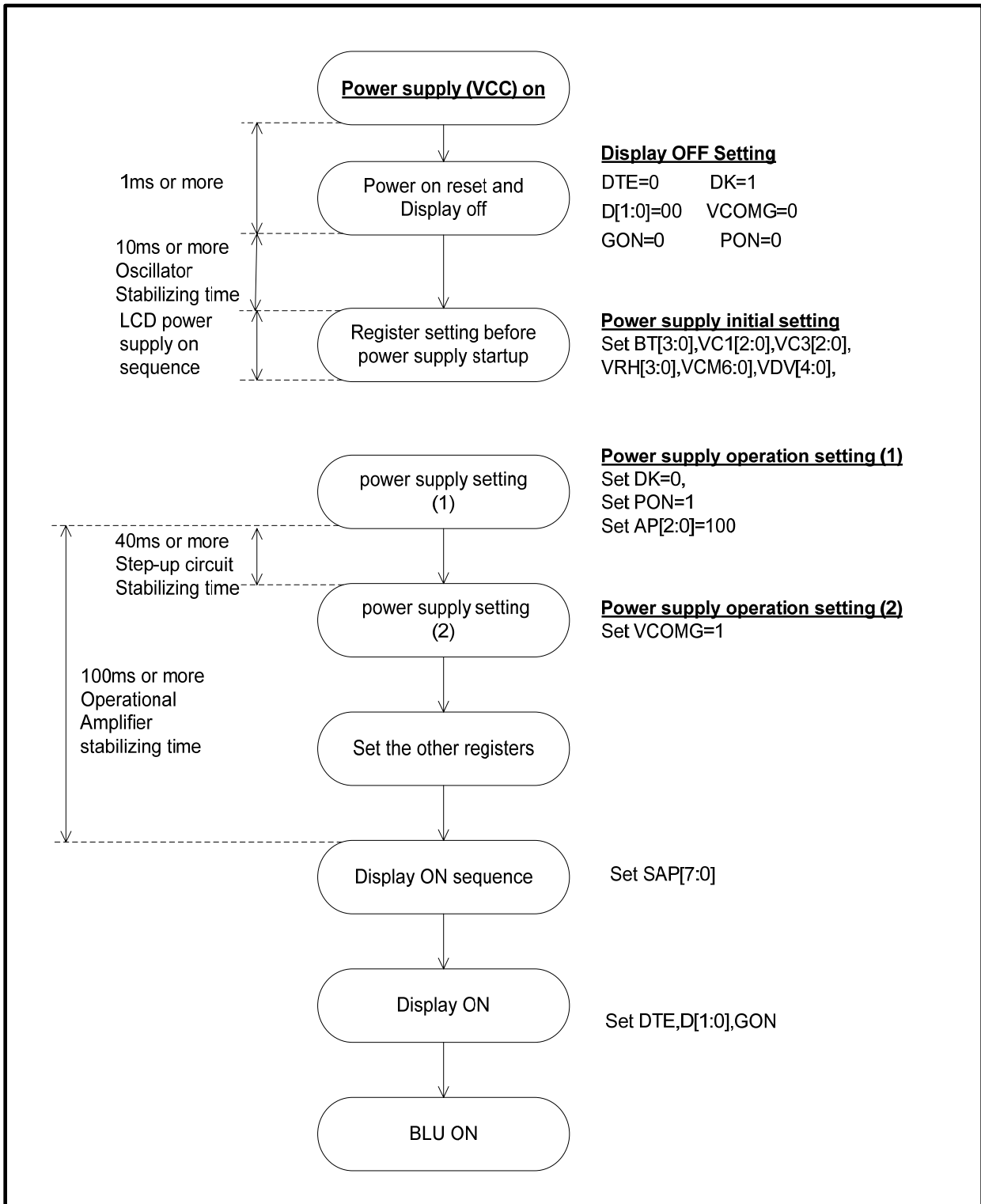


Signal	Symbol	Parameter	Min	Max	Unit
RESET	tRW	Reset pulse duration	10		uS
	tRT	Reset cancel		5	mS
				120	mS



5.4 Power on/off Sequence

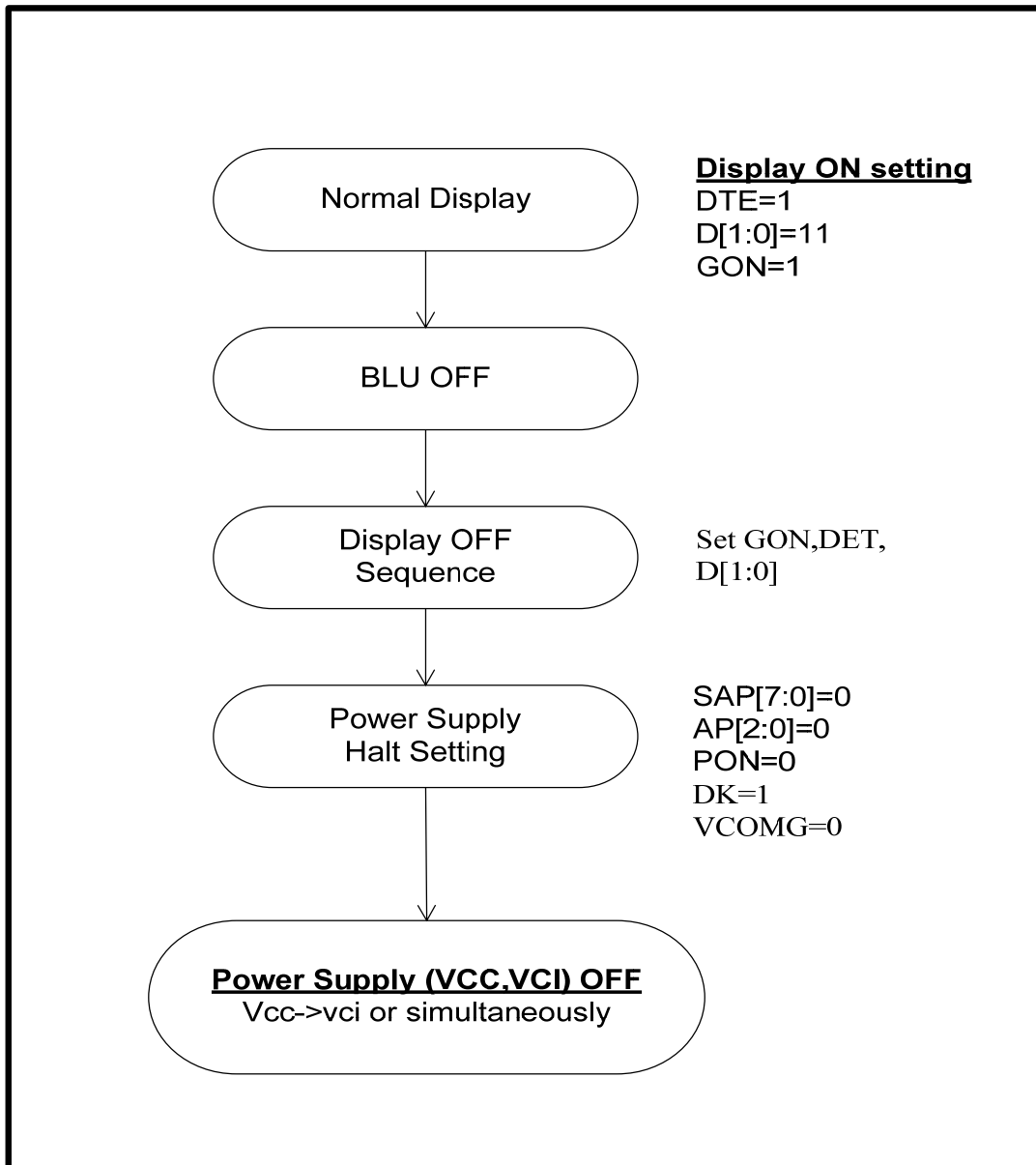
5.4.1 Power on Sequence



Power On Sequence



5.4.2 Power off Sequence



Power OFF Sequence



6 Optical characteristics

6.1 Optical Specification

Ta=25°C

Item	Symbol	Condition	Min	Typ.	Max.	Unit	Remark
View Angles	θT	$CR \geq 10$	--	48	53	Degree	Note 2
	θB		--	45	50		
	θL		--	40	45		
	θR		--	45	50		
Contrast Ratio	CR	$\theta = 0^\circ$	100	120	-		Note1 Note3
Response Time	Ton	25°C	-	35		ms	Note1
	Toff						Note4
Chromaticity	White	x	Brightness is on	0.31			Note5, Note1
		y		0.30			
Uniformity	U			80	-	%	Note1 Note6
NTSC			-	30	-	%	Note 5
Luminance	L		80	90	-	cd/m ²	Note1 Note7
Reflectance				6.8		%	Note8

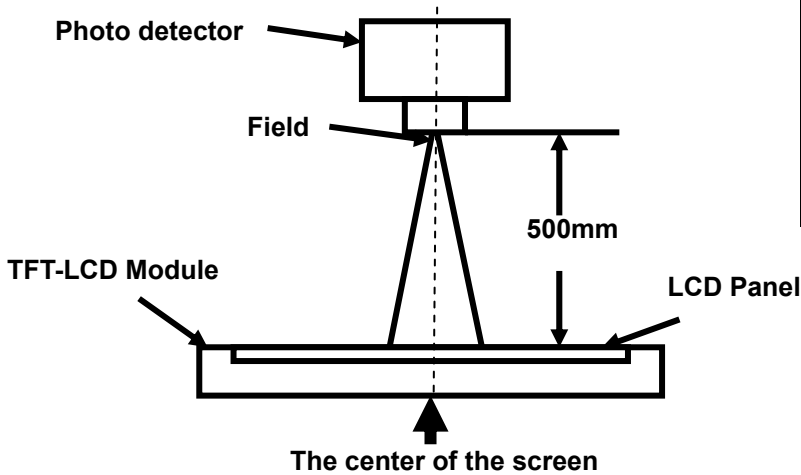
Test Conditions:

1. VDD=2.8V, I_L=20mA(One LED current), the ambient temperature is 25°C.
2. The test systems refer to Note 1 , Note 2 and Note 8.



Note 1: Definition of optical measurement system.

The optical characteristics should be measured in dark room. After 5 minutes operation, the optical properties are measured at the center point of the LCD screen. All input terminals LCD panel must be ground when measuring the center area of the panel.



Item	Photo detector	Field
Contrast Ratio	SR-3A	1°
Luminance		
Chromaticity		
Lum Uniformity	BM-7A	2°
Response Time		

Note 2: Definition of viewing angle range and measurement system.

viewing angle is measured at the center point of the LCD by CONOSCOPE(ergo-80).

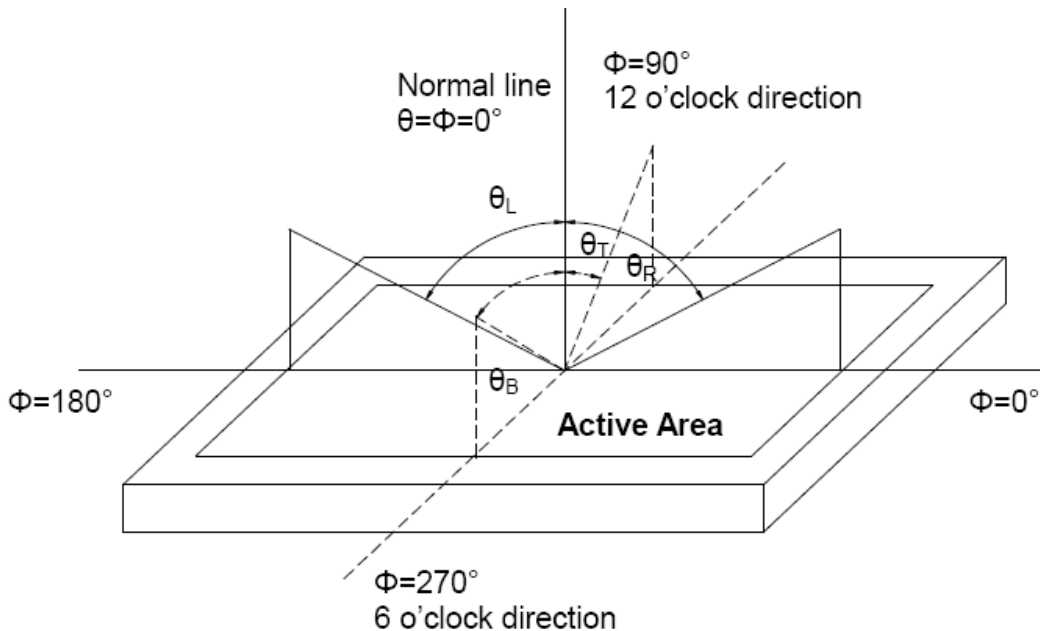


Fig. 1 Definition of viewing angle

**Note 3: Definition of contrast ratio**

$$\text{Contrast ratio (CR)} = \frac{\text{Luminance measured when LCD is on the "White" state}}{\text{Luminance measured when LCD is on the "Black" state}}$$

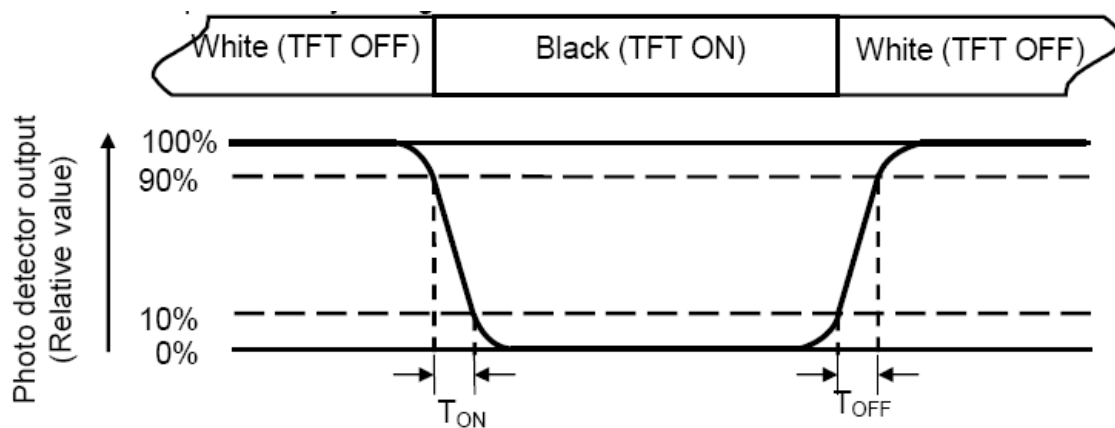
“White state “:The state is that the LCD should driven by V_{white} .

“Black state”: The state is that the LCD should driven by V_{black} .

V_{white} : To be determined V_{black} : To be determined.

Note 4: Definition of Response time

The response time is defined as the LCD optical switching time interval between “White” state and “Black” state. Rise time (T_{ON}) is the time between photo detector output intensity changed from 90% to 10%. And fall time (T_{OFF}) is the time between photo detector output intensity changed from 10% to 90%.

**Note 5: Definition of color chromaticity (CIE1931)**

Color coordinates measured at center point of LCD.



Note 6: Definition of Luminance Uniformity

Active area is divided into 9 measuring areas (Refer Fig. 2). Every measuring point is placed at the center of each measuring area.

Luminance Uniformity(U) = L_{min} / L_{max}

L-----Active area length W----- Active area width

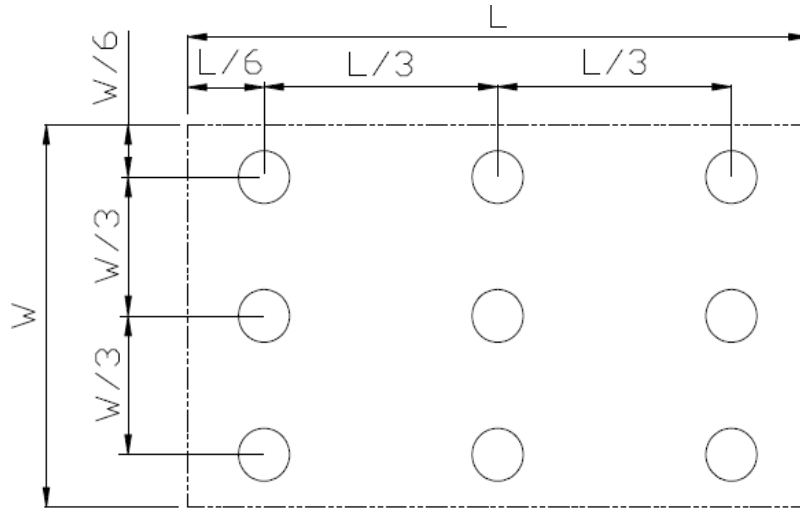


Fig. 2 Definition of uniformity

Lmax: The measured maximum luminance of all measurement position.

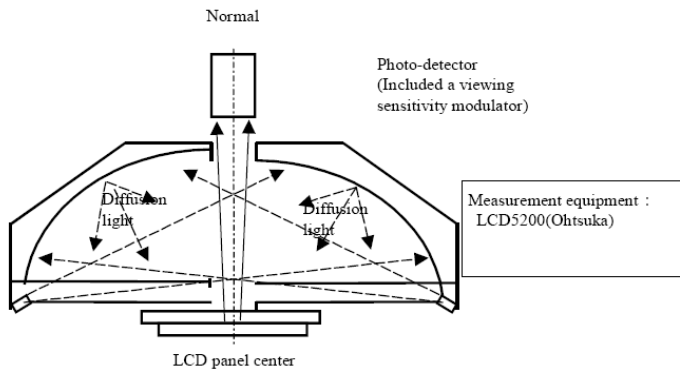
Lmin: The measured minimum luminance of all measurement position.

Note 7: Definition of Luminance :

Measure the luminance of white state at center point.

Note 8: Definition of Reflectance measurement system

Note 5) Reflectance is defined as follows:





7 Environmental / Reliability tests

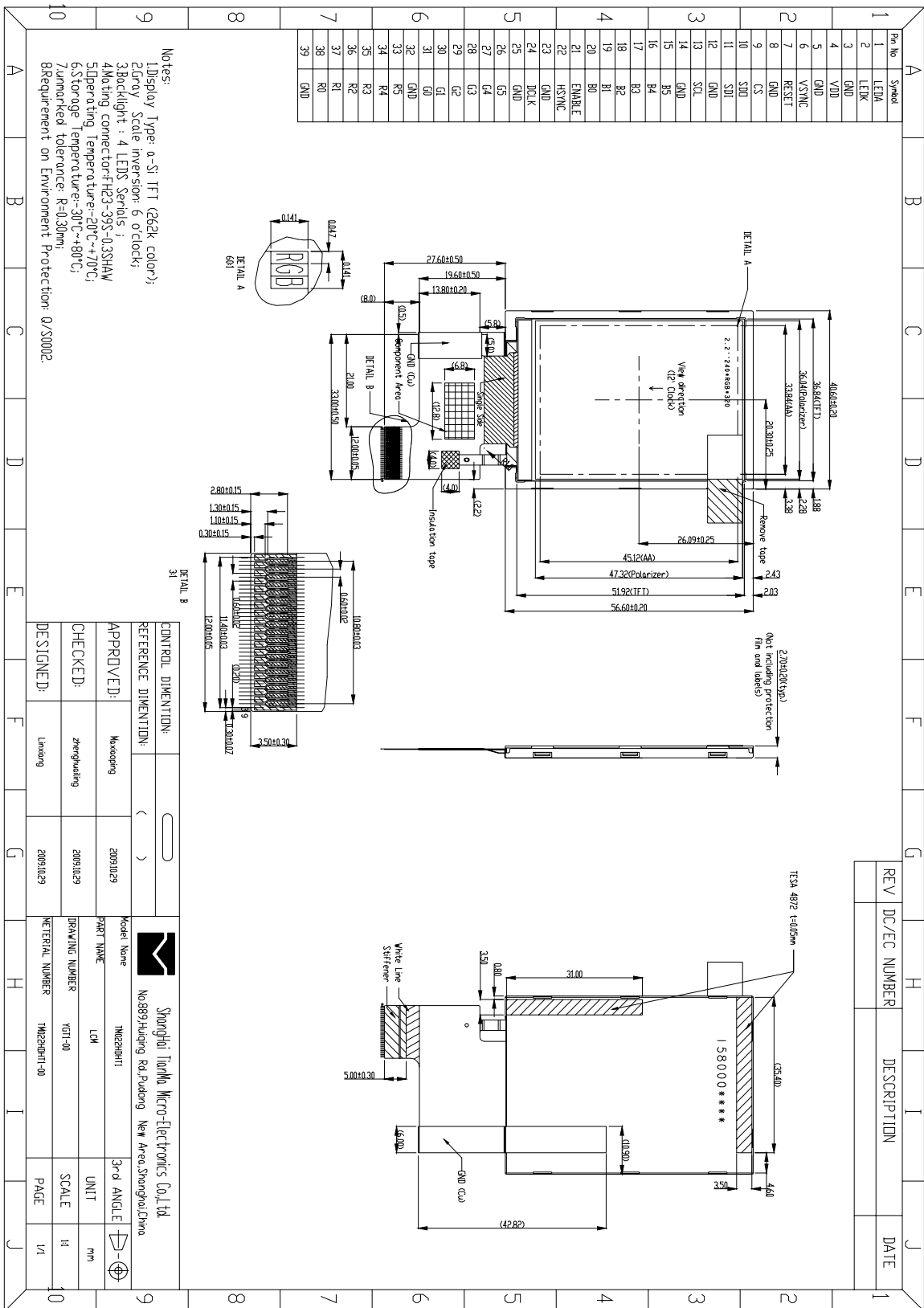
No	Test Item	Condition	Remarks
1	High Temperature Operation	Ts=+70°C, 240hrs	Note1 IEC60068-2-2,GB2423.2—89
2	Low Temperature Operation	Ta=-20°C, 240hrs	IEC60068-2-1 GB2423.1—89
3	High Temperature Storage	Ta=+80°C, 240hrs	IEC60068-2-2, GB2423.2—89
4	Low Temperature Storage	Ta=-30°C, 240hrs	IEC60068-2-1 GB2423.1—89
5	High Temperature & High Humidity Storage	+60°C, 90% RH max,240 hours	Note2 IEC60068-2-3, GB/T2423.3—2006
6	Thermal Shock (Non-operation)	-30°C 30 min~+80°C 30 min, Change time:5min, 20 Cycle	Start with cold temperature, End with high temperature, IEC60068-2-14,GB2423.22—87
7	Electro Static Discharge (Operation)	C=150pF, R=330Ω, 5points/panel Air:± 8KV, 5times; Contact:± 4KV, 5 times; (Environment: 15°C ~ 35°C, 30%~60%, 86Kpa~106Kpa)	IEC61000-4-2 GB/T17626.2—1998
8	Vibration (Non-operation)	Frequency range:10~55Hz, Stroke:1.5mm Sweep:10Hz~55Hz~10Hz 1 hours for each direction of X.Y.Z.(3 hours for total)	IEC60068-2-6 GB/T2423.10—1995
9	Shock (Non-operation)	60G 6ms, ± X,± Y,± Z 3times for each direction	IEC60068-2-27 GB/T2423.5—1995
10	Package Drop Test	Height:80 cm, 1 corner, 3 edges, 6 surfaces	IEC60068-2-32 GB/T2423.8—1995

Note1: Ts is the temperature of panel's surface.

Note2: Ta is the ambient temperature of sample.



8 Mechanical drawing



REV	DC/EC NUMBER	DESCRIPTION	DATE

CONTROL DIMENTION:	()	Shanghai Tianma Micro-Electronics Co., Ltd. No.889 Huang Pu Road, Pudong New Area, Shanghai, China	
APPROVED:	Maoxing		2009.10.29
CHECKED:	Zhenyuan		2009.10.29
DESIGNED:	Liang		2009.10.29
MODEL NAME:	M022HDHT1	3rd ANGLE	
PART NAME:	LCM	UNIT	
DRAWING NUMBER:	YG1-40	SCALE	
MATERIAL NUMBER:	M022HDHT1-40	PAGE	
		1/1	

The information contained herein is the exclusive property of SHANGHAI TIANMA MICRO-ELECTRONICS Corporation, and shall not be distributed, reproduced, or disclosed in whole or in part without prior written permission of SHANGHAI TIANMA MICRO-ELECTRONICS Corporation.



9 Packing drawing(TBD)



10 Precautions for use of LCD modules

10.1 Handling Precautions

- 10.1.1 The display panel is made of glass. Do not subject it to a mechanical shock by dropping it from a high place, etc.
- 10.1.2 If the display panel is damaged and the liquid crystal substance inside it leaks out, be sure not to get any in your mouth, if the substance comes into contact with your skin or clothes, promptly wash it off using soap and water.
- 10.1.3 Do not apply excessive force to the display surface or the adjoining areas since this may cause the color tone to vary.
- 10.1.4 The polarizer covering the display surface of the LCD module is soft and easily scratched. Handle this polarizer carefully.
- 10.1.5 If the display surface is contaminated, breathe on the surface and gently wipe it with a soft dry cloth. If still not completely clear, moisten cloth with one of the following solvents:
 - Isopropyl alcohol、
 - Ethyl alcoholSolvents other than those mentioned above may damage the polarizer. Especially, do not use the following:
 - Water
 - Ketone
 - Aromatic solvents
- 10.1.6 Do not attempt to disassemble the LCD Module.
- 10.1.7 If the logic circuit power is off, do not apply the input signals.
- 10.1.8 To prevent destruction of the elements by static electricity, be careful to maintain an optimum work environment.
 - 10.1.8.1 Be sure to ground the body when handling the LCD Modules.
 - 10.1.8.2 Tools required for assembly, such as soldering irons, must be properly ground.
 - 10.1.8.3 To reduce the amount of static electricity generated, do not conduct assembly and other work under dry conditions.
 - 10.1.8.4 The LCD Module is coated with a film to protect the display surface. Be care when peeling off this protective film since static electricity may be generated.

10.2 Storage precautions

- 10.2.1 When storing the LCD modules, avoid exposure to direct sunlight or to the light of fluorescent lamps.
- 10.2.2 The LCD modules should be stored under the storage temperature range. If the LCD modules will be stored for a long time, the recommend condition is:
Temperature : 0℃ ~ 40℃ Relatively humidity: ≤80%
- 10.2.3 The LCD modules should be stored in the room without acid, alkali and harmful gas.

10.3 Transportation Precautions:

The LCD modules should be no falling and violent shocking during transportation, and also should avoid excessive press, water, damp and sunshine.